

SKY 52-60-90 K/V/S SKYLIGHT SYSTEM



+DYNAMIC



+AESTHETIC

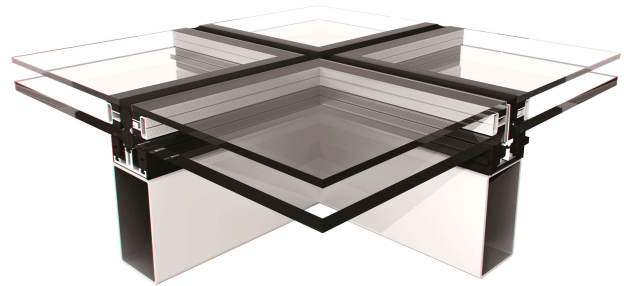


+DURABLE



+INNOVATIVE

Where transparent roof is requested, these systems offers skylight solutions for wide spacing areas by assembling system profiles both over steel construction and aluminium sub-construction profiles.



With Structural Glazing & Two Side & With Cap alternatives, the structure of the system offers openings for smoke evacuation and air ventilation. By gradual water condensation principle, the rain water and snow water is transferred to the condensation channels. The imbricated EPDM gaskets, provides continuous water condensation and required thermal insulation.

It has a profile wall thickness between 1.8 mm and 2.0 mm, the system allows glass usage up to 52 mm thickness.



SKY 52-60-90 K/V/S SKYLIGHT SYSTEM



+DYNAMIC



+AESTHETIC



+DURABLE



+INNOVATIVE

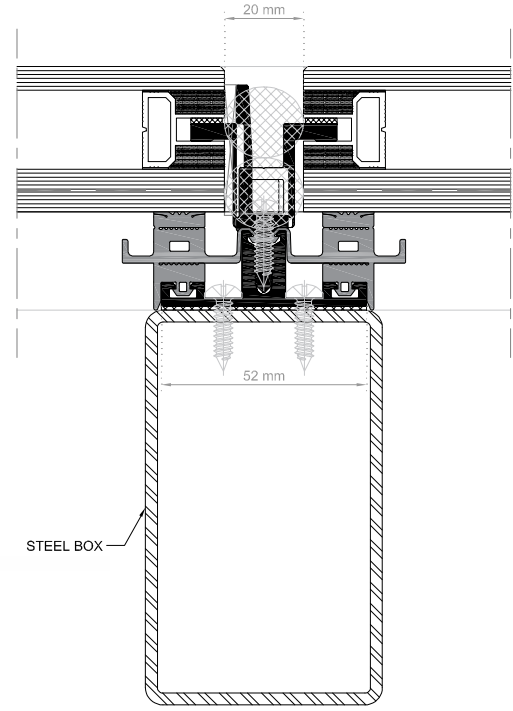
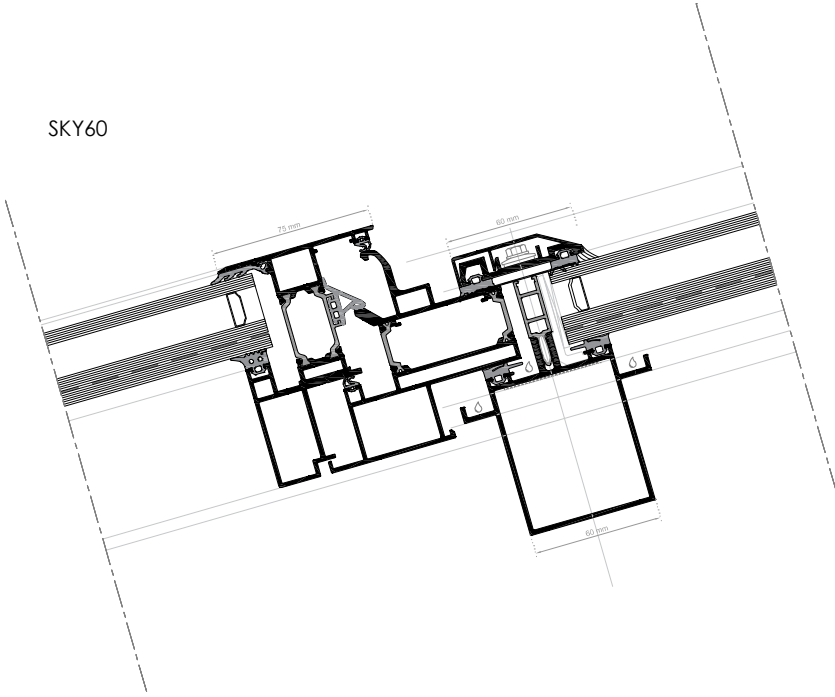
TECHNICAL SPECIFICATIONS

System Visible Width: 50-60-90 mm

System Depth: 80 – 240 mm

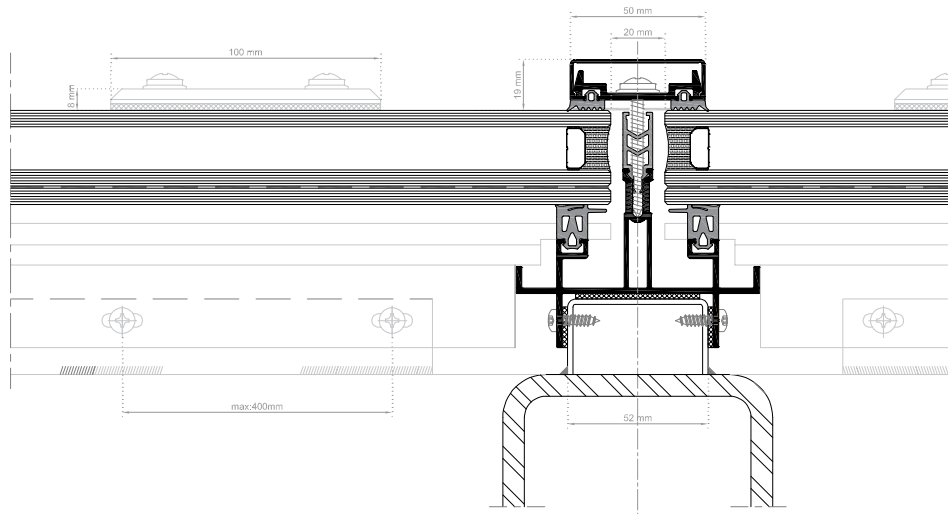
Glass Thickness: between 6 mm and 52 mm

SKY60



SKY52

SKY90



KLEIDCO YAPI SİSTEMLERİ SAN. ve TİC. A.Ş.

Şenlikköy Mh. Yeşilköy Cd.No:17/A K:2
Florya-Bakırköy İstanbul / TÜRKİYE

T +90 212 438 57 90
F +90 212 438 59 47
E info@kleidco.com
W www.kleidco.com

KLEIDCO
aluminium building solutions